

A
CO
C
D
E
F
G
H
I
J
K
L
M
N
O
P

SECTION CO

ENGINE COOLING SYSTEM

CONTENTS

PRECAUTION	3	Exploded View	15
PRECAUTIONS	3	Removal and Installation	16
Precaution for Supplemental Restraint System (SRS) "AIR BAG" and "SEAT BELT PRE-TENSIONER"	3	Inspection	18
Liquid Gasket	3	COOLING FAN	19
PREPARATION	4	Exploded View	19
PREPARATION	4	Removal and Installation	19
Commercial Service Tools	4	Disassembly and Assembly	19
SYSTEM DESCRIPTION	5	Inspection	20
DESCRIPTION	5	WATER PUMP	21
Engine Cooling System	5	VQ25HR	21
Engine Cooling System Schematic	6	VQ25HR : Exploded View	21
SYMPTOM DIAGNOSIS	7	VQ25HR : Removal and Installation	21
OVERHEATING CAUSE ANALYSIS	7	VQ25HR : Inspection	24
Troubleshooting Chart	7	VQ37VHR	24
PERIODIC MAINTENANCE	9	VQ37VHR : Exploded View	25
ENGINE COOLANT	9	VQ37VHR : Removal and Installation	25
Inspection	9	VQ37VHR : Inspection	27
Draining	9	WATER INLET AND THERMOSTAT ASSEMBLY	28
Refilling	10	Exploded View	28
Flushing	12	Removal and Installation	28
RADIATOR	13	Inspection	29
RADIATOR CAP	13	WATER OUTLET AND WATER PIPING	30
RADIATOR CAP : Inspection	13	VQ25HR	30
RADIATOR	13	VQ25HR : Exploded View	30
RADIATOR : Inspection	13	VQ25HR : Removal and Installation	31
REMOVAL AND INSTALLATION	15	VQ25HR : Inspection	32
RADIATOR	15	VQ37VHR	32
		VQ37VHR : Exploded View	32
		VQ37VHR : Removal and Installation	33
		VQ37VHR : Inspection	33
		SERVICE DATA AND SPECIFICATIONS (SDS)	34

SERVICE DATA AND SPECIFICATIONS

(SDS)	34
Periodical Maintenance Specification	34

Radiator	34
Thermostat	34

PRECAUTIONS

< PRECAUTION >

PRECAUTION

PRECAUTIONS

Precaution for Supplemental Restraint System (SRS) "AIR BAG" and "SEAT BELT PRE-TENSIONER"

INFOID:000000007464508

The Supplemental Restraint System such as "AIR BAG" and "SEAT BELT PRE-TENSIONER", used along with a front seat belt, helps to reduce the risk or severity of injury to the driver and front passenger for certain types of collision. This system includes seat belt switch inputs and dual stage front air bag modules. The SRS system uses the seat belt switches to determine the front air bag deployment, and may only deploy one front air bag, depending on the severity of a collision and whether the front occupants are belted or unbelted. Information necessary to service the system safely is included in the "SRS AIR BAG" and "SEAT BELT" of this Service Manual.

WARNING:

Always observe the following items for preventing accidental activation.

- To avoid rendering the SRS inoperative, which could increase the risk of personal injury or death in the event of a collision that would result in air bag inflation, all maintenance must be performed by an authorized NISSAN/INFINITI dealer.
- Improper maintenance, including incorrect removal and installation of the SRS, can lead to personal injury caused by unintentional activation of the system. For removal of Spiral Cable and Air Bag Module, see "SRS AIR BAG".
- Never use electrical test equipment on any circuit related to the SRS unless instructed to in this Service Manual. SRS wiring harnesses can be identified by yellow and/or orange harnesses or harness connectors.

PRECAUTIONS WHEN USING POWER TOOLS (AIR OR ELECTRIC) AND HAMMERS

WARNING:

Always observe the following items for preventing accidental activation.

- When working near the Air Bag Diagnosis Sensor Unit or other Air Bag System sensors with the ignition ON or engine running, never use air or electric power tools or strike near the sensor(s) with a hammer. Heavy vibration could activate the sensor(s) and deploy the air bag(s), possibly causing serious injury.
- When using air or electric power tools or hammers, always switch the ignition OFF, disconnect the battery, and wait at least 3 minutes before performing any service.

Liquid Gasket

INFOID:000000007464509

LIQUID GASKET APPLICATION PROCEDURE

1. Remove old liquid gasket adhering to the liquid gasket application surface and the mating surface.
 - Remove liquid gasket completely from the liquid gasket application surface, mounting bolts, and bolt holes.
2. Wipe the liquid gasket application surface and the mating surface with white gasoline (lighting and heating use) to remove adhering moisture, grease and foreign materials.
3. Apply liquid gasket to the liquid gasket application surface.
Use Genuine RTV Silicone Sealant or equivalent. Refer to [GI-22. "Recommended Chemical Products and Sealants"](#).
 - Within five minutes of liquid gasket application, install the mating component.
 - If liquid gasket protrudes, wipe it off immediately.
 - Do not retighten mounting bolts or nuts after the installation.
 - After 30 minutes or more have passed from the installation, fill engine oil and engine coolant.

PREPARATION

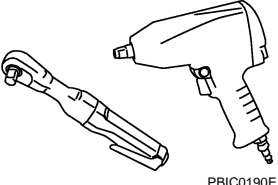
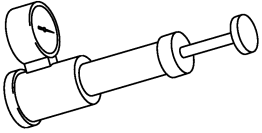
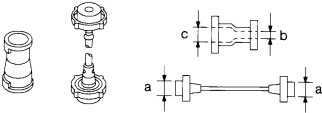
< PREPARATION >

PREPARATION

PREPARATION

Commercial Service Tools

INFOID:000000007464510

Tool name	Description
<p data-bbox="164 415 272 441">Power tool</p>  <p data-bbox="829 632 901 651">PBIC0190E</p>	<p data-bbox="1013 415 1263 441">Loosening nuts and bolts</p>
<p data-bbox="164 667 354 693">Radiator cap tester</p>  <p data-bbox="829 884 901 903">PBIC1982E</p>	<p data-bbox="1013 667 1360 693">Checking radiator and radiator cap</p>
<p data-bbox="164 919 440 945">Radiator cap tester adapter</p>  <p data-bbox="829 1136 885 1155">S-NT564</p>	<p data-bbox="1013 919 1442 970">Adapting radiator cap tester to radiator cap and water outlet (front) filler neck</p> <p data-bbox="1013 974 1175 999">a: 28 (1.10) dia.</p> <p data-bbox="1013 1003 1208 1029">b: 31.4 (1.236) dia.</p> <p data-bbox="1013 1033 1208 1058">c: 41.3 (1.626) dia.</p> <p data-bbox="1013 1062 1143 1087">Unit: mm (in)</p>

DESCRIPTION

< SYSTEM DESCRIPTION >

SYSTEM DESCRIPTION

DESCRIPTION

Engine Cooling System

INFOID:000000007464505

A

CO

C

D

E

F

G

H

I

J

K

L

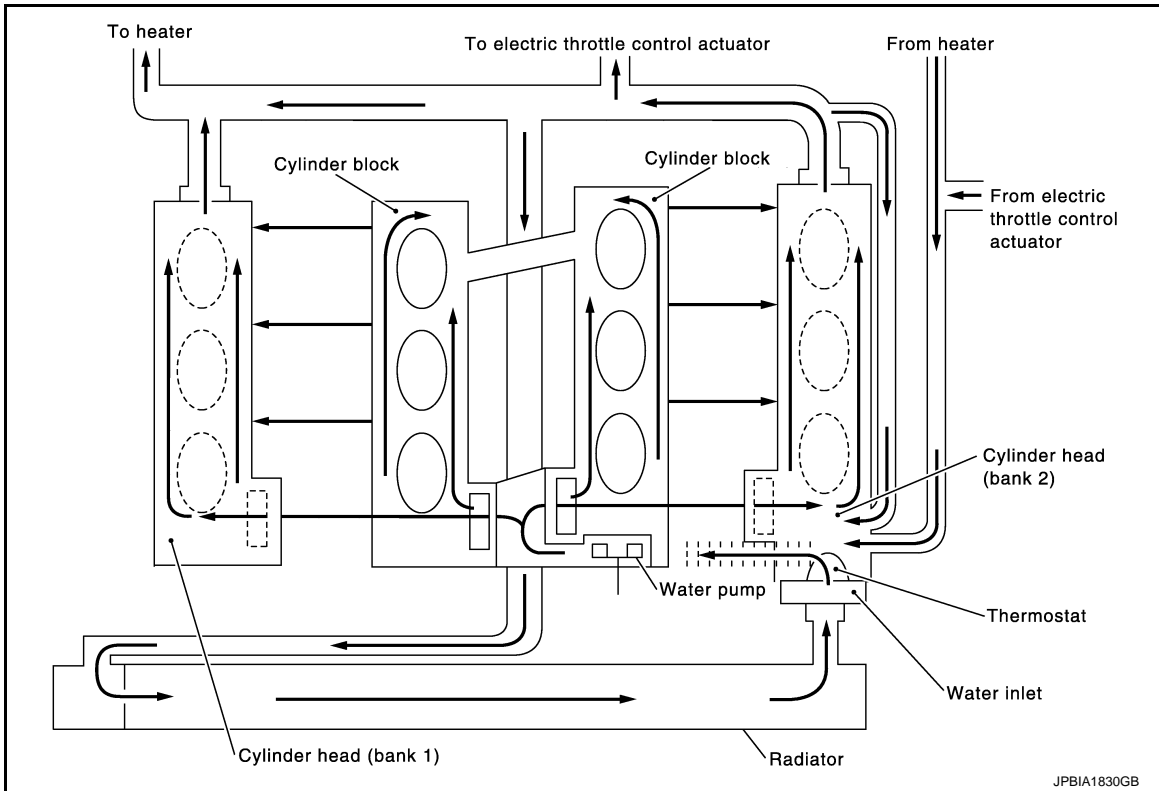
M

N

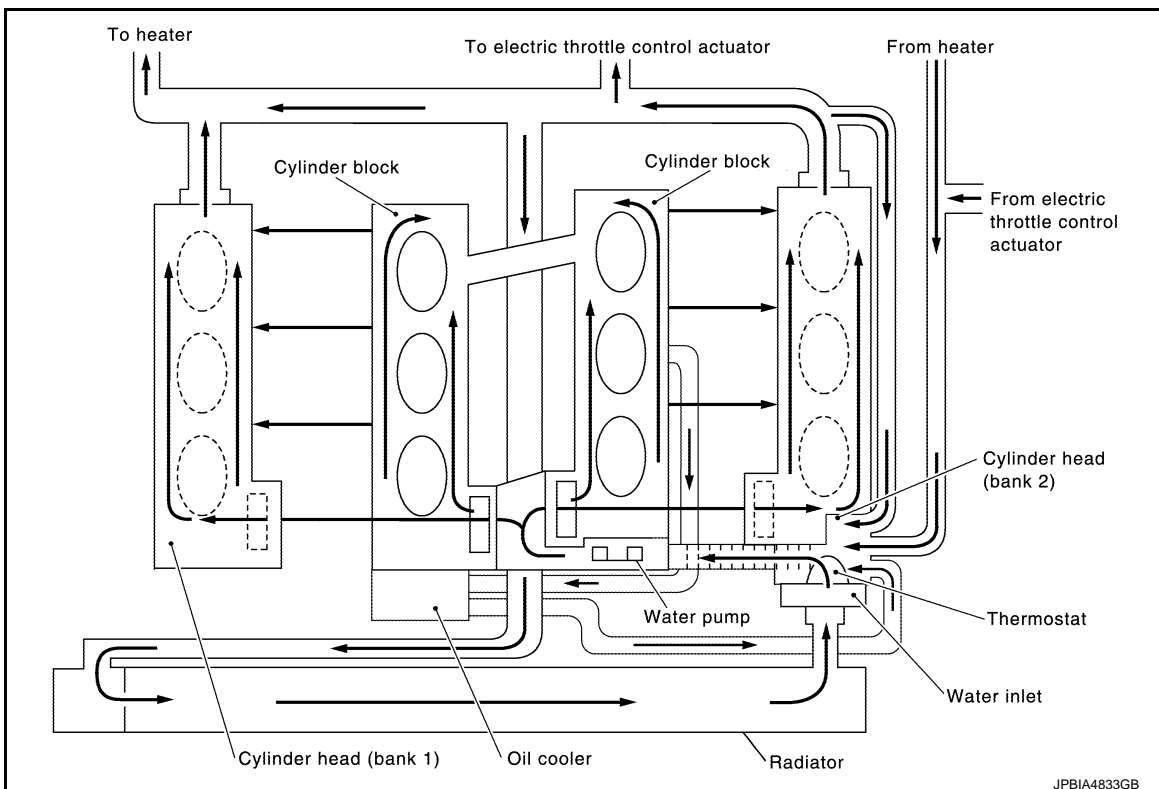
O

P

Without oil cooler



With oil cooler

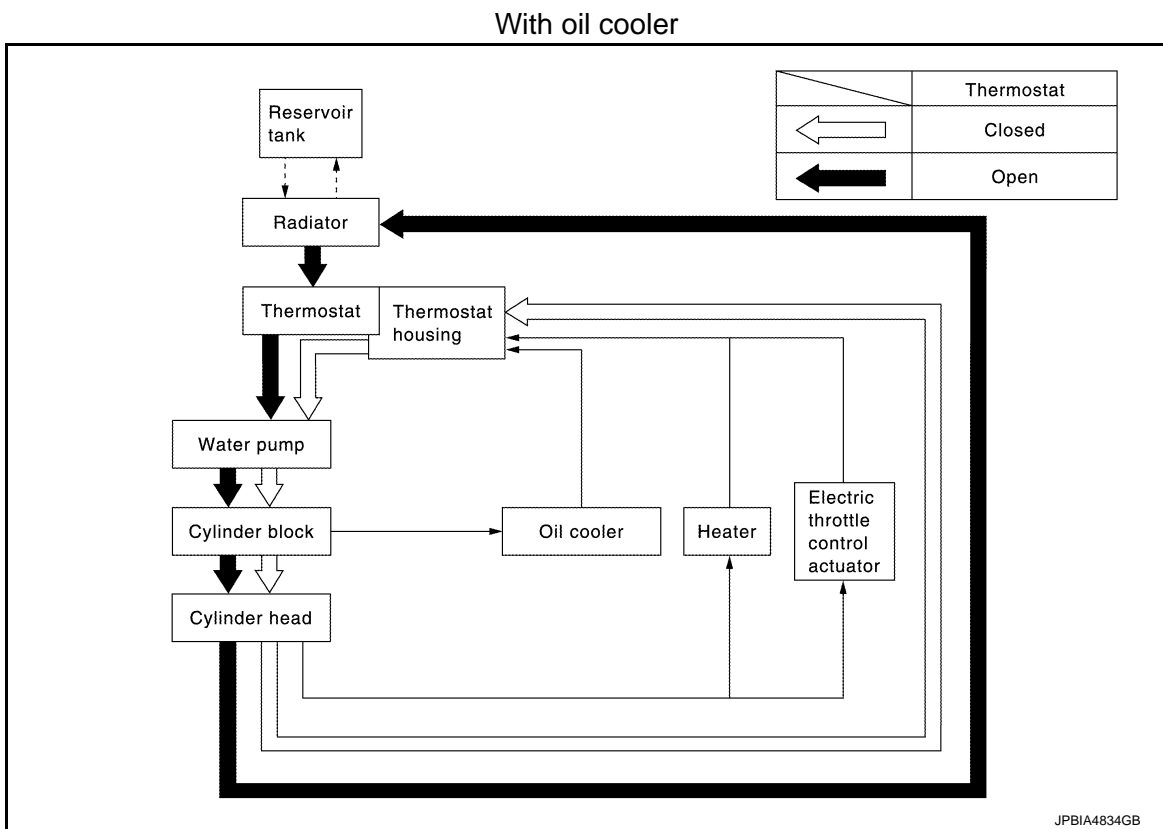
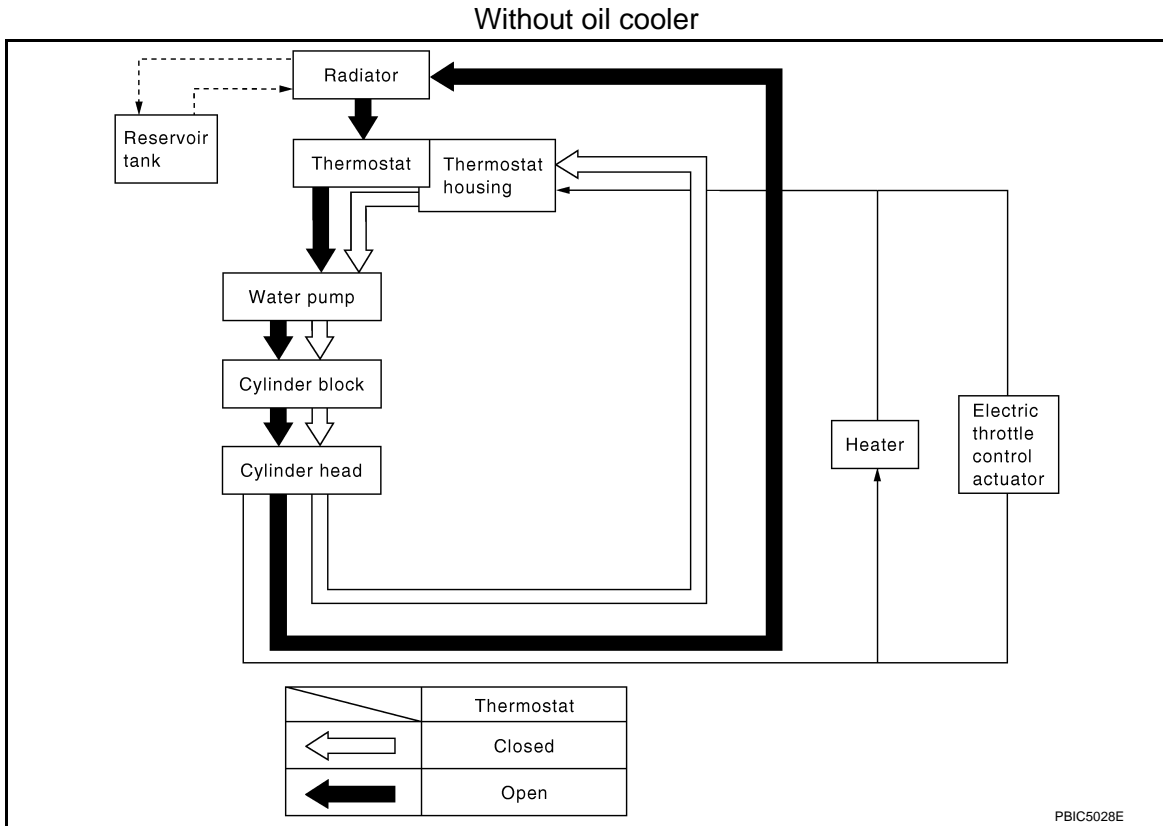


DESCRIPTION

< SYSTEM DESCRIPTION >

Engine Cooling System Schematic

INFOID:000000007464506



OVERHEATING CAUSE ANALYSIS

< SYMPTOM DIAGNOSIS >

SYMPTOM DIAGNOSIS

OVERHEATING CAUSE ANALYSIS

Troubleshooting Chart

INFOID:000000007464507

A

CO

		Symptom	Check items	
Cooling system parts malfunction	Poor heat transfer	Water pump malfunction	Worn or loose drive belt	—
		Thermostat stuck closed	—	
		Damaged fins	Dust contamination or paper clogging	
			Physical damage	
	Clogged radiator cooling tube	Excess foreign material (rust, dirt, sand, etc.)		
	Reduced air flow	Cooling fan does not operate	Fan assembly	—
		High resistance to fan rotation		
		Damaged fan blades		
	Damaged radiator shroud	—	—	—
	Improper engine coolant mixture ratio	—	—	—
	Poor engine coolant quality	—	Engine coolant density	—
	Insufficient engine coolant	Engine coolant leakage	Cooling hose	Loose clamp
				Cracked hose
			Water pump	Poor sealing
			Radiator cap	Loose
Poor sealing				
Radiator		O-ring for damage, deterioration or improper fitting		
		Cracked radiator tank		
		Cracked radiator core		
Reservoir tank	Cracked reservoir tank			
Overflowing reservoir tank	Exhaust gas leakage into cooling system	Cylinder head deterioration		
		Cylinder head gasket deterioration		

C

D

E

F

G

H

I

J

K

L

M

N

O

P

OVERHEATING CAUSE ANALYSIS

< SYMPTOM DIAGNOSIS >

		Symptom		Check items	
Except cooling system parts malfunction	—	Overload on engine	Abusive driving	High engine rpm under no load	—
				Driving in low gear for extended time	
				Driving at extremely high speed	
			Powertrain system malfunction		
			Installed improper size wheels and tires		
			Dragging brakes		
	Blocked or restricted air flow	Blocked or restricted air flow	Blocked bumper	—	—
			Blocked radiator grille	Installed car brassiere	
				Mud contamination or paper clogging	
			Blocked radiator	—	
Blocked condenser			Blocked air flow		
Installed large fog lamp					

ENGINE COOLANT

< PERIODIC MAINTENANCE >

PERIODIC MAINTENANCE

ENGINE COOLANT

Inspection

INFOID:000000007464511

LEVEL

- Check if the reservoir tank engine coolant level is within the “MIN” to “MAX” when the engine is cool.

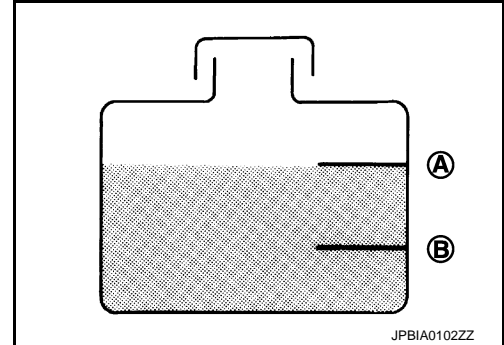
A : MAX

B : MIN

- Adjust the engine coolant level if necessary.
- Check that the reservoir tank cap is tightened.

CAUTION:

Refill Genuine NISSAN Long Life Antifreeze/Coolant (blue) or equivalent in its quality mixed with water (distilled or demineralized). Refer to [MA-17, "FOR NORTH AMERICA : Fluids and Lubricants"](#) (FOR NORTH AMERICA) or [MA-19, "FOR MEXICO : Fluids and Lubricants"](#) (FOR MEXICO).



LEAKAGE

- To check for leakage, apply pressure to the cooling system with the radiator cap tester and radiator cap tester adapter (commercial service tool) (A).

Testing pressure : Refer to [CO-34, "Radiator"](#).

WARNING:

Never remove radiator cap when engine is hot. Serious burns could occur from high-pressure engine coolant escaping from engine cooling system.

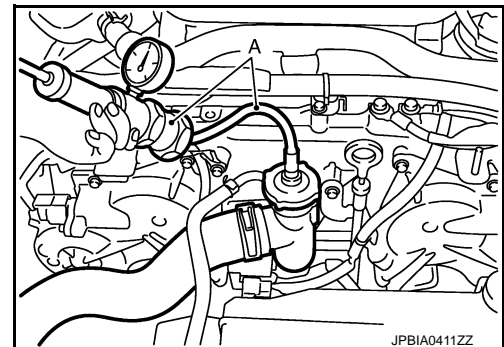
CAUTION:

Higher test pressure than specified may cause radiator damage.

NOTE:

In a case that engine coolant decreases, replenish radiator with engine coolant.

- If anything is found, repair or replace damaged parts.



Draining

INFOID:000000007464512

WARNING:

- To avoid being scalded, never change engine coolant when the engine is hot.
- Wrap a thick cloth around radiator cap and carefully remove radiator cap. First, turn radiator cap a quarter of a turn to release built-up pressure. Then turn radiator cap all the way.

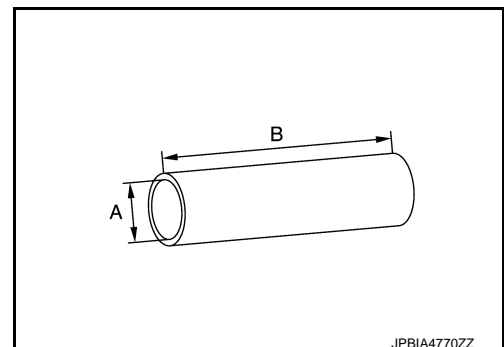
1. Connect drain hose.

NOTE:

Use a general-purpose hose with the dimensions shown in the figure.

A : ϕ 15 - 16 mm (0.59 - 0.63 in)

B : 145 mm (5.71 in)

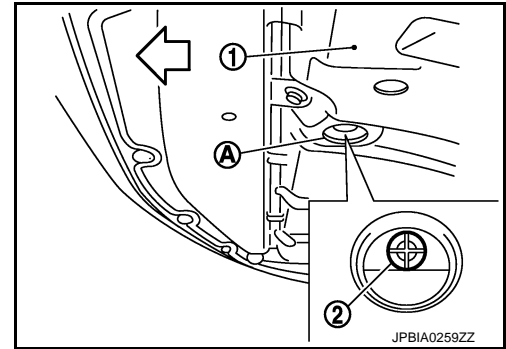


ENGINE COOLANT

< PERIODIC MAINTENANCE >

2. Open radiator drain plug (2) at the bottom of radiator, and then remove radiator cap.

- 1 : Engine under cover
A : Radiator drain plug hole
⇐ : Vehicle front



When draining all of engine coolant in the system, open water drain plugs on cylinder block. Refer to [EM-93, "Setting"](#) (VQ25HR) or [EM-231, "Setting"](#) (VQ37VHR).

3. Remove reservoir tank if necessary, and drain engine coolant and clean reservoir tank before installing.
4. Check drained engine coolant for contaminants such as rust, corrosion or discoloration. If contaminated, flush the engine cooling system. Refer to [CO-12, "Flushing"](#).

Refilling

INFOID:000000007464513

CAUTION:

- Do not reuse O-rings.
- Do not put additive such as waterleak preventive, since it may cause cooling waterway clogging.
- When refilling use Genuine NISSAN Long Life Antifreeze/Coolant (blue) or equivalent in its quality mixed with water (distilled or demineralized). Refer to [MA-17, "FOR NORTH AMERICA : Fluids and Lubricants"](#) (FOR NORTH AMERICA) or [MA-19, "FOR MEXICO : Fluids and Lubricants"](#) (FOR MEXICO).

1. Remove air cleaner case (LH). Refer to [EM-28, "Exploded View"](#) (VQ25HR) or [EM-179, "Exploded View"](#) (VQ37VHR).
2. Install reservoir tank if removed, and radiator drain plug.

CAUTION:

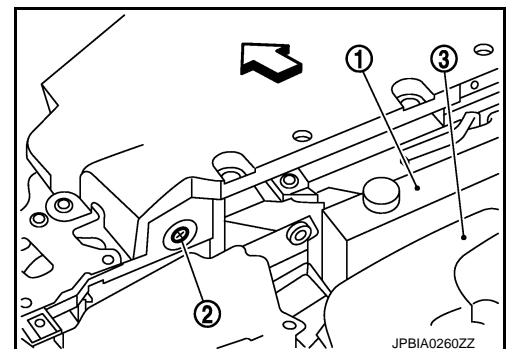
Be sure to clean drain plug and install with new O-ring.

Tightening torque : Refer to [CO-15, "Exploded View"](#).

If water drain plugs on cylinder block are removed, close and tighten them. Refer to [EM-93, "Setting"](#) (VQ25HR) or [EM-231, "Setting"](#) (VQ37VHR).

3. Check that each hose clamp has been firmly tightened.
4. Remove air relief plug (2) on radiator left side.

- 1 : Reservoir tank
3 : Engine cover
⇐ : Vehicle front



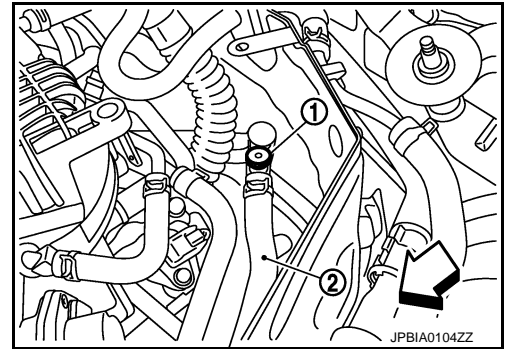
ENGINE COOLANT

< PERIODIC MAINTENANCE >

5. Remove air relief plug (1) on heater hose.

2 : Heater hose

↔ : Vehicle front



6. Fill radiator to specified level.

- Pour engine coolant through engine coolant filler neck slowly of less than 2 l (2-1/8 US qt, 1-3/4 Imp qt) a minute to allow air in system to escape.

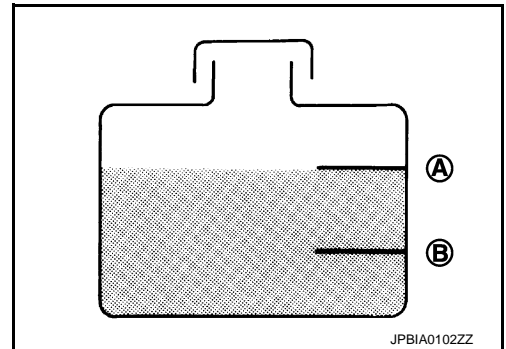
Engine coolant capacity : Refer to [CO-34](#),
(With reservoir tank at "MAX" level) ["Periodical Maintenance Specification"](#).

7. Refill reservoir tank to "MAX" level line with engine coolant.

A : MAX

B : MIN

Reservoir tank engine coolant capacity : Refer to [CO-34](#),
(At "MAX" level) ["Periodical Maintenance Specification"](#)



8. When engine coolant overflows air relief hole on radiator, install air relief plug with new O-ring.

Tightening torque : Refer to [CO-15](#), ["Exploded View"](#).

9. Repeat step 6 and 7.

10. When engine coolant overflows air relief hole on heater hose, install air relief plug with new O-ring. Then refill radiator with engine coolant.

 : 1.2 N·m (0.12 kg·m, 11 in·lb)

11. Install air cleaner case (LH). Refer to [EM-28](#), ["Exploded View"](#) (VQ25HR) or [EM-179](#), ["Exploded View"](#) (VQ37VHR).

12. Install radiator cap.

13. Warm up engine until opening thermostat. Standard for warming-up time is approximately 10 minutes at 3,000 rpm.

- Check thermostat opening condition by touching radiator hose (lower) to see a flow of warm water.

CAUTION:

Watch water temperature gauge so as not to overheat engine.

14. Stop the engine and cool down to less than approximately 50°C (122°F).

- Cool down using fan to reduce the time.
- If necessary, refill radiator up to filler neck with engine coolant.

15. Refill reservoir tank to "MAX" level line with engine coolant, if necessary.

16. Repeat steps 12 through 15 two or more times with radiator cap installed until engine coolant level no longer drops.

17. Check cooling system for leakage with engine running.

18. Warm up the engine, and check for sound of engine coolant flow while running engine from idle up to 3,000 rpm with heater temperature controller set at several position between "COOL" and "WARM".

ENGINE COOLANT

< PERIODIC MAINTENANCE >

- Sound may be noticeable at heater unit.

19. Repeat step 18 three times.
20. If sound is heard, bleed air from cooling system by repeating step 6, and steps from 12 to 19 until engine coolant level no longer drops.
21. Check that the reservoir tank cap is tightened.

Flushing

INFOID:000000007464514

1. Install reservoir tank if removed, and radiator drain plug.

CAUTION:

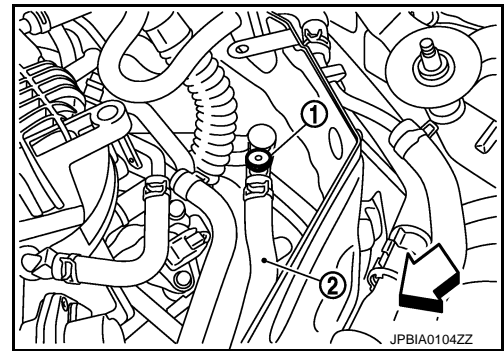
Be sure to clean drain plug and install with new O-ring.

Tightening torque : Refer to [CO-15, "Exploded View"](#).

If water drain plugs on cylinder block are removed, close and tighten them. Refer to [EM-93, "Setting"](#) (VQ25HR) or [EM-231, "Setting"](#) (VQ37VHR).

2. Remove air relief plug (1) on heater hose (2).

⇐ : Vehicle front

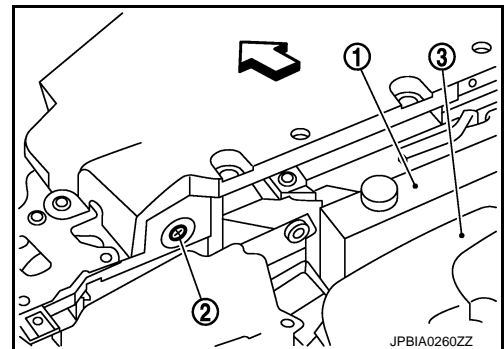


3. Remove air relief plug (2) on radiator.

1 : Reservoir tank

3 : Engine cover

⇐ : Vehicle front



4. Fill radiator with water until water spills from the air relief holes, then close air relief plugs. Fill radiator and reservoir tank with water and reinstall radiator cap.

Tightening torque : Refer to [CO-15, "Exploded View"](#).

5. Run the engine and warm it up to normal operating temperature.
6. Rev the engine two or three times under no-load.
7. Stop the engine and wait until it cools down.
8. Drain water from the system. Refer to [CO-9, "Draining"](#).
9. Repeat steps 1 through 8 until clear water begins to drain from radiator.
10. Check that the reservoir tank cap is tightened.

RADIATOR

< PERIODIC MAINTENANCE >

RADIATOR

RADIATOR CAP

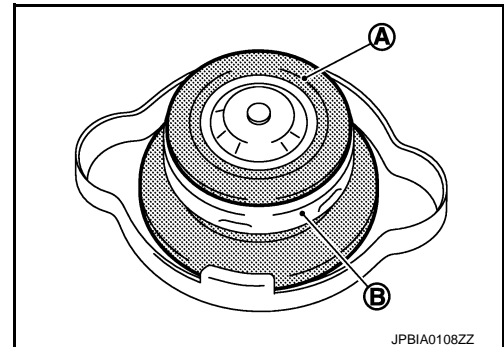
RADIATOR CAP : Inspection

INFOID:000000007464515

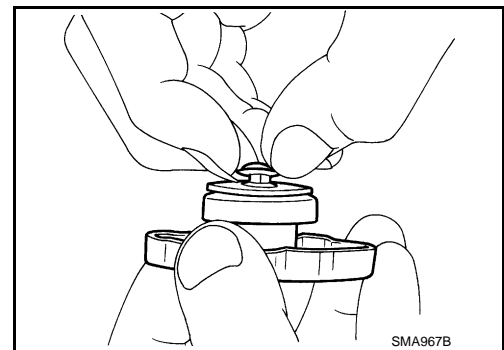
- Check valve seat (A) of radiator cap.

B : Metal plunger

- Check if valve seat is swollen to the extent that the edge of the plunger cannot be seen when watching it vertically from the top.
- Check if valve seat has no soil and damage.



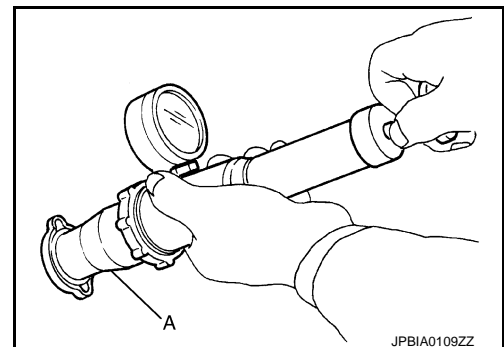
- Pull negative-pressure valve to open it, and check that it close completely when released.
- Check that there is no dirt or damage on the valve seat of radiator cap negative-pressure valve.
- Check that there are no unusualness in the opening and closing conditions of negative-pressure valve.



- Check radiator cap relief pressure.

Standard and limit : Refer to [CO-34, "Radiator"](#).

- When connecting radiator cap to the radiator cap tester and the radiator cap tester adapter (commercial service tool) (A), apply engine coolant to the cap seal surface.



- Replace radiator cap if there is an unusualness related to the above three.

CAUTION:

When installing radiator cap, thoroughly wipe out the water outlet (front) filler neck to remove any waxy residue or foreign material.

RADIATOR

RADIATOR : Inspection

INFOID:000000007464516

Check radiator for mud or clogging. If necessary, clean radiator as follows:

- Be careful not to bend or damage radiator fins.
 - When radiator is cleaned without removal, remove all surrounding parts such as radiator cooling fan assembly and horns. Then tape harness and connectors to prevent water from entering.
1. Apply water by hose to the back side of the radiator core vertically downward.
 2. Apply water again to all radiator core surfaces once per minute.
 3. Stop washing if any stains no longer flow out from radiator.
 4. Blow air into the back side of radiator core vertically downward.

RADIATOR

< PERIODIC MAINTENANCE >

- Use compressed air lower than 490 kPa (5 kg/cm², 71 psi) and keep distance more than 30 cm (11.8 in).
5. Blow air again into all the radiator core surfaces once per minute until no water sprays out.

RADIATOR

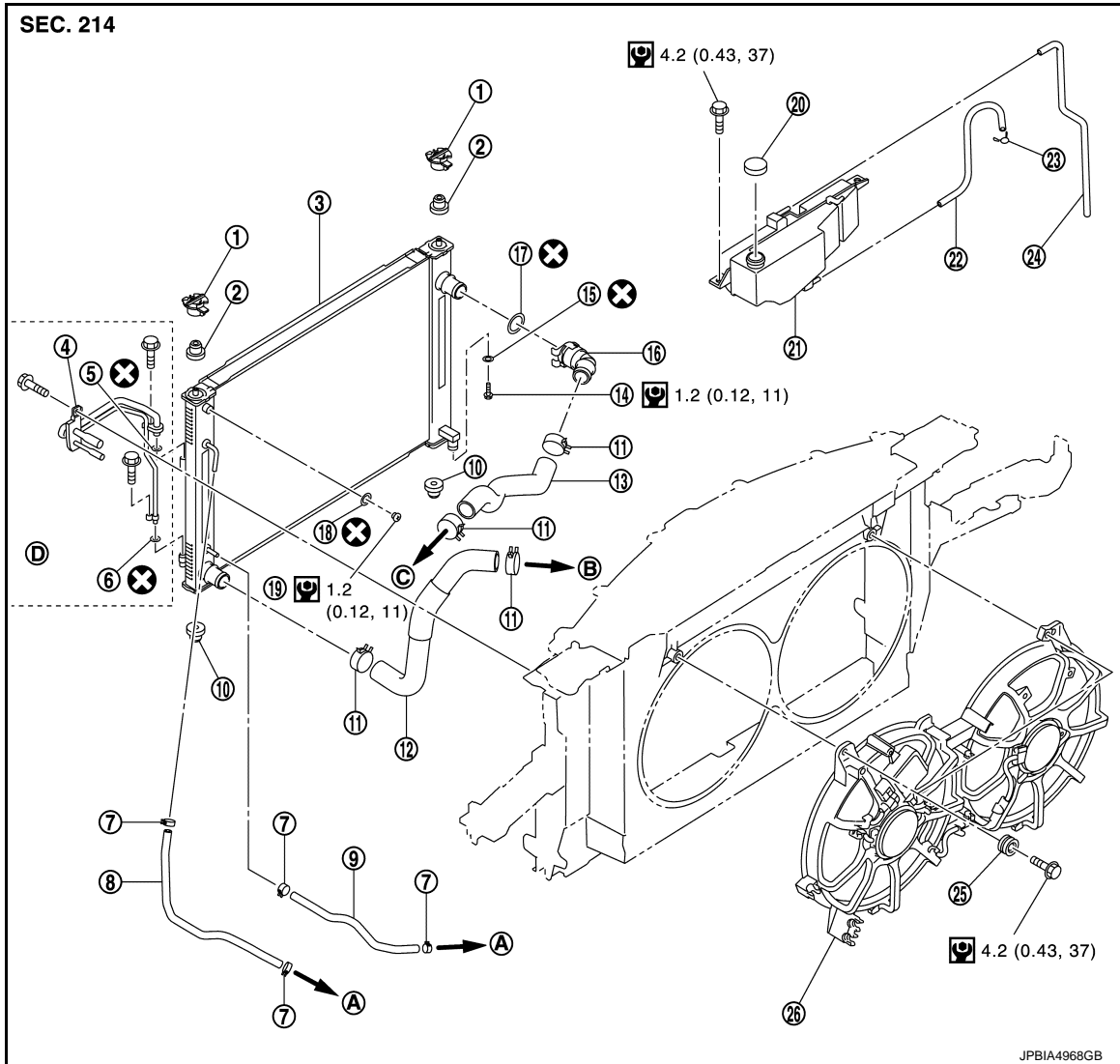
< REMOVAL AND INSTALLATION >

REMOVAL AND INSTALLATION

RADIATOR

Exploded View

INFOID:000000007464517



- | | | |
|--|---|---------------------------------------|
| 1. Upper mount bracket | 2. Mounting rubber (upper) | 3. Radiator & condenser assembly |
| 4. Condenser pipe assembly | 5. O-ring | 6. O-ring |
| 7. Clamp | 8. A/T fluid cooler hose (A/T models) | 9. A/T fluid cooler hose (A/T models) |
| 10. Mounting rubber (lower) | 11. Clamp | 12. Radiator hose (lower) |
| 13. Radiator hose (Upper) | 14. Drain plug | 15. O-ring |
| 16. Radiator water inlet pipe | 17. O-ring | 18. O-ring |
| 19. Air relief plug | 20. Reservoir tank cap | 21. Reservoir tank |
| 22. Reservoir tank hose | 23. Clamp | 24. Reservoir tank hose |
| 25. Grommet | 26. Radiator cooling fan assembly | |
| A. To transmission | B. To water inlet and thermostat assembly | C. To water outlet |
| D. Refer to HA-48, "Exploded View" | | |

Refer to [GI-4, "Components"](#) for symbols in the figure.

RADIATOR

< REMOVAL AND INSTALLATION >

Removal and Installation

INFOID:000000007464518

REMOVAL

WARNING:

Never remove radiator cap when engine is hot. Serious burns could occur from high-pressure engine coolant escaping from engine cooling system. Wrap a thick cloth around the cap. Slowly turn it a quarter of a turn to release built-up pressure. Carefully remove radiator cap by turning it all the way.

1. Remove the following parts:
 - Engine under cover with power tool.
 - Engine cover: Refer to [EM-26, "Exploded View"](#) (VQ25HR) or [EM-177, "Exploded View"](#) (VQ37VHR).
 - Air cleaner case (RH and LH): Refer to [EM-28, "Exploded View"](#) (VQ25HR) or [EM-179, "Exploded View"](#) (VQ37VHR).
 - Reservoir tank: Refer to [CO-15, "Exploded View"](#).
 - Radiator core support ornament, radiator core support center: Refer to [DLK-204, "Exploded View"](#).
 - Horn: Refer to [HRN-4, "Exploded View"](#).
 - Hood lock: Refer to [DLK-201, "HOOD LOCK CONTROL : Exploded View"](#).
2. Remove condenser pipe assembly. Refer to [HA-42, "Exploded View"](#).
3. Drain engine coolant from radiator. Refer to [CO-9, "Draining"](#).

CAUTION:

- Perform this step when the engine is cold.
- Never spill engine coolant on drive belt.

4. Disconnect A/T fluid cooler hoses from radiator. (A/T models)
 - Install blind plug to avoid leakage of A/T fluid.
5. Remove radiator hoses (upper and lower) and reservoir tank hose.

CAUTION:

Never allow engine coolant to contact drive belt.

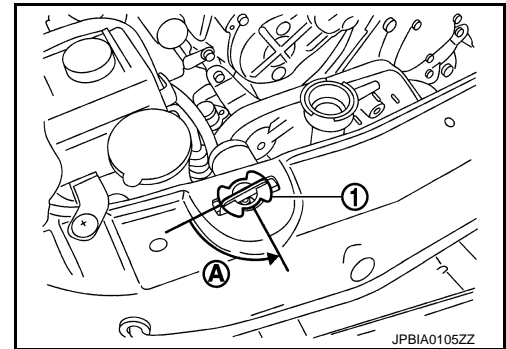
6. Remove cooling fan assembly. Refer to [CO-19, "Exploded View"](#).

CAUTION:

Never damage or scratch radiator & condenser assembly core when removing.

7. Rotate two radiator upper mount brackets 90 degrees in direction as shown in the figure, and remove them.

- 1 : Radiator upper mount bracket
A : Turn 90° counterclockwise



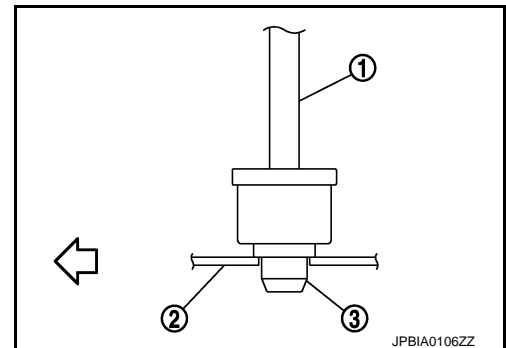
8. Remove radiator & condenser assembly as follows:

CAUTION:

Never damage radiator & condenser assembly core.

- a. Lift up and pull the radiator & condenser assembly (1) forward, and then remove the mounting rubber (lower) (3) from the radiator core support (2).

⇐ : Vehicle front

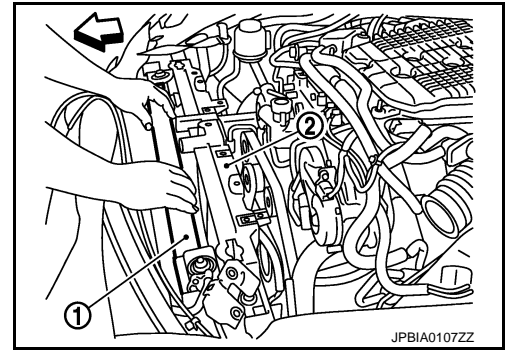


RADIATOR

< REMOVAL AND INSTALLATION >

- b. Remove radiator & condenser assembly (1) from front of radiator core support (2).

← : Vehicle front



INSTALLATION

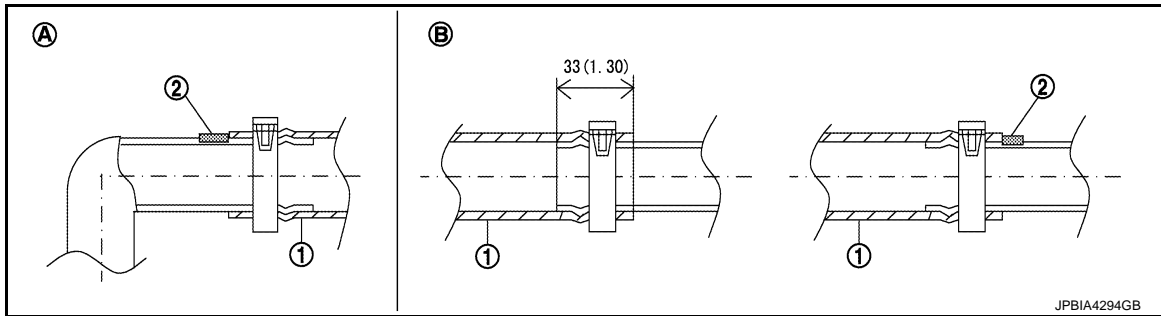
Note the following, and install in the reverse order of removal.

CAUTION:

- Do not reuse O-rings.
- Replace water hose clamp if it is removed.
- Use genuine mounting bolts for the cooling fan assembly and strictly observe the tightening torque. (Breakage prevention for radiator)

NOTE:

- Insert the radiator hose (1) all the way to the stopper (2) or by 33 mm (1.30 in) (hose without a stopper).



Unit mm (in)

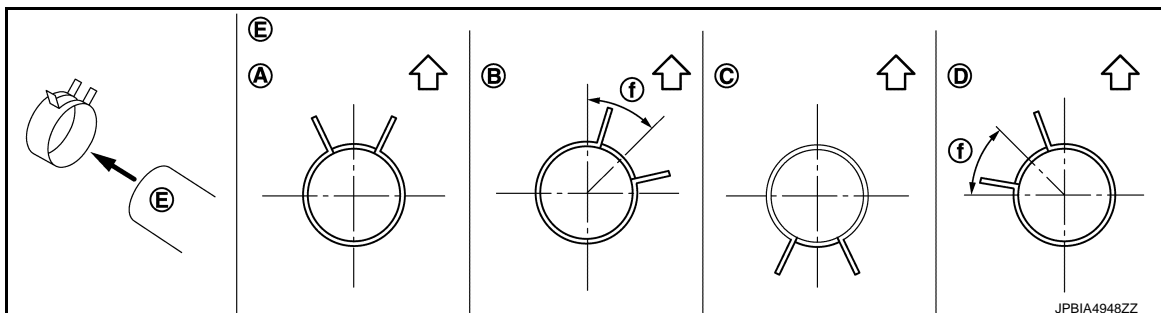
A. Radiator side

B. Engine side

- For the orientation of the hose clamp pawl, refer to the figure.

Radiator hose	Hose end	Paint mark	Position of hose clamp*
Radiator hose (upper)	Radiator side	Upper	A
	Engine side	Upper	B
Radiator hose (lower)	Radiator side	Lower	C
	Engine side	Right side	D

*Refer to the illustrations for the specific position each hose clamp tab.



E. View E

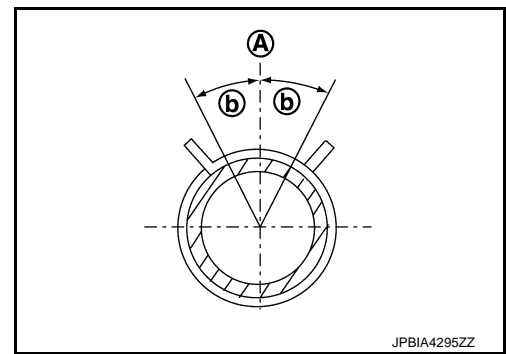
f. 45°

← Vehicle upper

RADIATOR

< REMOVAL AND INSTALLATION >

- The angle (b) created by the hose clamp pawl and the specified line (A) must be within $\pm 30^\circ$ as shown in the figure.

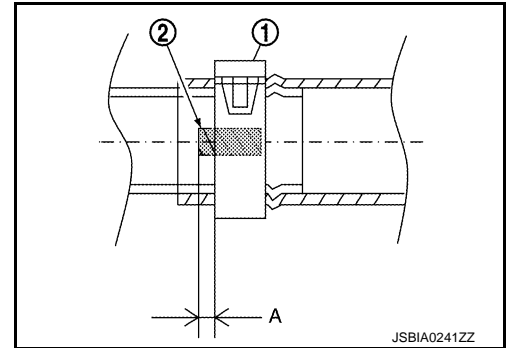


- To install hose clamps (1), check that the dimension (A) from the end of the paint mark (2) on the radiator hose to the hose clamp is within the reference value.

Dimension "A"

(-1) – (+1) mm

(-0.04) – (+0.04) in



Inspection

INFOID:000000007464519

INSPECTION AFTER INSTALLATION

- Check that the reservoir tank cap is tightened.
- Check for leakage of engine coolant using the radiator cap tester adapter and the radiator cap tester (commercial service tool). Refer to [CO-9, "Inspection"](#).
- Start and warm up the engine. Visually check that there is no leakage of engine coolant and A/T fluid (A/T models).

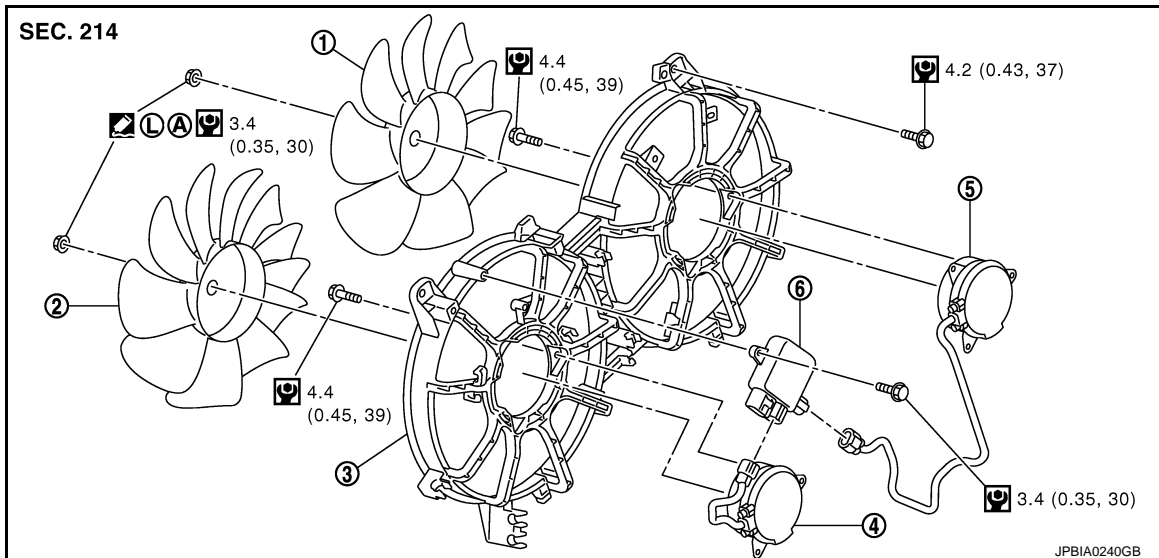
COOLING FAN

< REMOVAL AND INSTALLATION >

COOLING FAN

Exploded View

INFOID:000000007464520



- | | | |
|---------------------|---------------------|-------------------------------|
| 1. Cooling fan (RH) | 2. Cooling fan (LH) | 3. Fan shroud |
| 4. Fan motor (LH) | 5. Fan motor (RH) | 6. Cooling fan control module |

A. Apply on fan motor shaft

: Apply Genuine High Strength thread Locking Sealant or equivalent.

Refer to [GI-4, "Components"](#) for symbols in the figure.

Removal and Installation

INFOID:000000007464521

REMOVAL

1. Remove reservoir tank. Refer to [CO-15, "Exploded View"](#).
2. Remove air cleaner case (LH). Refer to [EM-28, "Exploded View"](#) (VQ25HR) or [EM-179, "Exploded View"](#) (VQ37VHR).
3. Disconnect harness connector from cooling fan control module, and move harness to aside.
4. Remove engine under cover with power tool.
5. Remove cooling fan assembly from under the vehicle.

CAUTION:

Be careful not to damage or scratch on radiator core.

INSTALLATION

Note the following, and install in the reverse order of removal.

CAUTION:

Only use genuine parts for cooling fan mounting bolt and observe the specified torque (to prevent core support from being damaged).

Disassembly and Assembly

INFOID:000000007464522

DISASSEMBLY

1. Disconnect harness from cooling fan control module.
2. Remove cooling fan control module from cooling fan assembly.
CAUTION:
Handle carefully to avoid dropping and shocks.
3. Remove cooling fan mounting nuts, and then remove the cooling fan (RH and LH).
4. Remove fan motors (RH and LH).

COOLING FAN

< REMOVAL AND INSTALLATION >

ASSEMBLY

Note the following, and assemble in the reverse order of disassembly.

CAUTION:

RH and LH cooling fans are different. Be careful not to misassemble them.

- Install each fan in the following position.

Right side : 9 blades

Left side : 11 blades

- Secure the harness tightly to the fan shroud to prevent the fan rotation area from being loose.

Inspection

INFOID:000000007464523

INSPECTION AFTER REMOVAL

Check that fan motors operate normally.

NOTE:

Cooling fans are controlled by cooling fan control module. For details, refer to [EC-107, "System Diagram"](#).

INSPECTION AFTER DISASSEMBLY

Cooling Fan

Inspect cooling fan for crack or unusual bend.

- If anything is found, replace cooling fan.

WATER PUMP

< REMOVAL AND INSTALLATION >

WATER PUMP

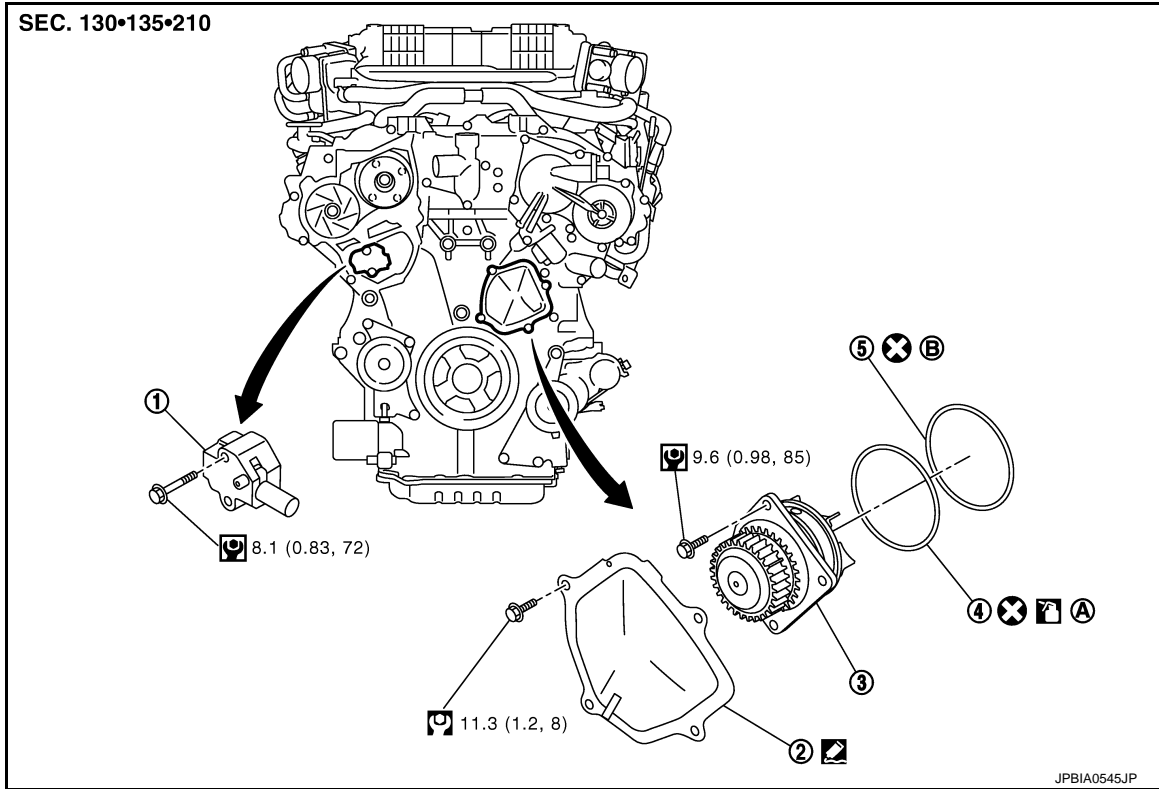
VQ25HR

VQ25HR : Exploded View

INFOID:000000007464524

A

CO



C

D

E

F

G

H

I

J

- | | | |
|---|---------------------|---------------|
| 1. Chain tensioner (Primary) | 2. Water pump cover | 3. Water pump |
| 4. O-ring | 5. O-ring | |
| A. Identify with white paint mark (white) | B. LLC application | |

K

Refer to [GI-4, "Components"](#) for symbols in the figure

VQ25HR : Removal and Installation

INFOID:000000007464525

L

REMOVAL

1. Remove engine cover. Refer to [EM-26, "Removal and Installation"](#).
 2. Remove engine under cover, using a power tool.
 3. Remove drive belt. Refer to [EM-21, "Adjustment"](#).
 4. Drain engine coolant from radiator. Refer to [CO-9, "Draining"](#).
- CAUTION:**
Perform this step when the engine is cold
5. Drain engine coolant from cylinder block. Refer to [EM-93, "Setting"](#).

M

N

O

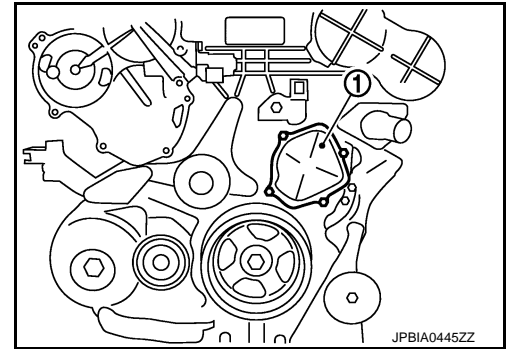
P

WATER PUMP

< REMOVAL AND INSTALLATION >

6. Remove water pump cover.

1 : Water pump cover



7. Remove valve timing control cover (bank 1). Refer to [EM-50. "Exploded View"](#).

8. Remove chain tensioner (primary) (3) as follows:

- a. Remove lower mounting bolt (1)

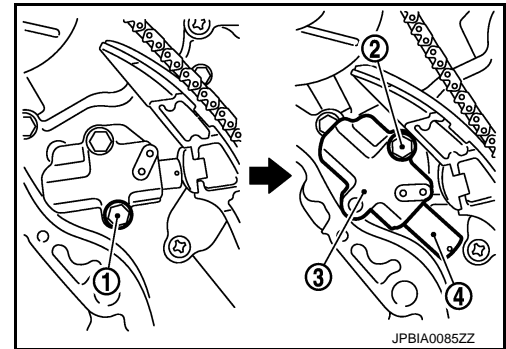
CAUTION:

Be careful not to drop mounting bolt inside timing chain case.

- b. Loosen upper mounting bolt (2) slowly and then turn chain tensioner (primary) on the mounting bolt so that plunger (4) is fully expanded.

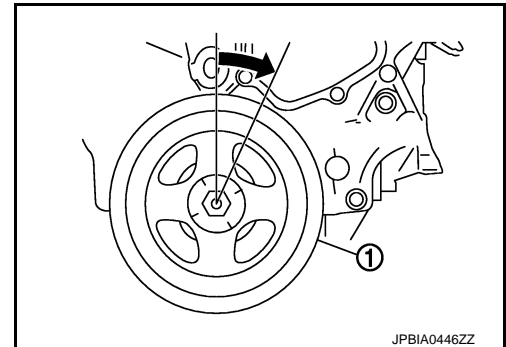
NOTE:

Even if plungers is fully expanded, it is not dropped from the body of timing chain tensioner.



- c. Turn crankshaft pulley clock wise so that timing chain on the timing chain tensioner (primary) side is loose.

1 : Crank pulley



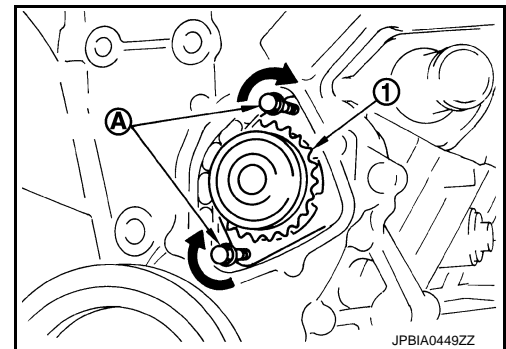
9. Remove water pump.

- a. Remove water pump mounting bolt.

- b. Screw M8 bolts (A) [pitch: 1.25 mm (0.0492 in) length: approximately 50 mm (1.97 in)] (A) into water pumps upper and lower mounting bolt holes until they reach timing chain case. Then, alternately tighten each bolt for a half turn, and pull out water pump (1).

- Pull straight out while preventing vane from contacting socket in installation area.
- Remove water pump without causing sprocket to contact timing chain.

10. Remove M8 bolts and O-rings from water pump.



INSTALLATION

CAUTION:

Do not reuse O-rings.

1. Install new O-rings to water pump.

CAUTION:

Do not reuse O-rings.

- Clean the O-ring mounting groove to remove foreign matter.

WATER PUMP

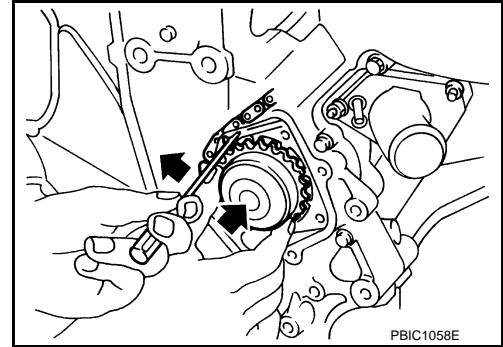
< REMOVAL AND INSTALLATION >

- Install O-ring (with a white identification mark) to the engine front side (sprocket side) and O-ring (with no identification mark) to the engine rear side (vane side).

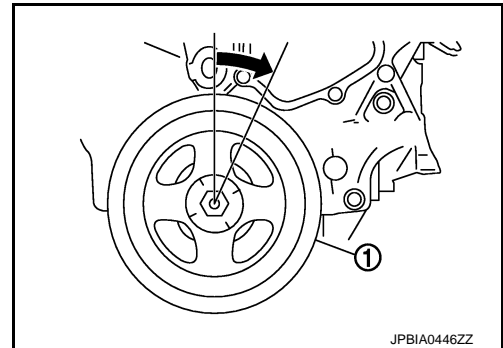
CAUTION:

Each O-ring is made of different material. Always install proper O-ring.

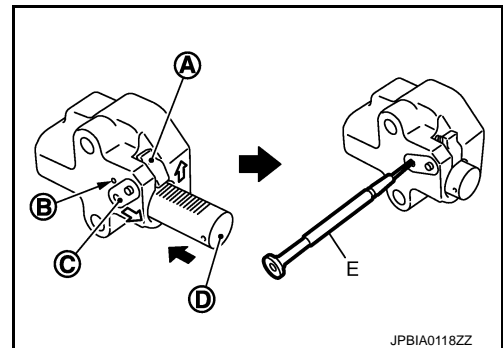
2. Install water pump.
 - Apply engine oil to the entire perimeter of O-ring (with a white identification mark).
 - Apply LLC to the entire perimeter of O-ring (with no identification mark).
 - Insert water pump straight into the cylinder block.
 - Always observe the alignment of O-ring.
 - Tighten mounting bolts alternately and uniformly to press fit water pump.
 - Check that the timing chain is in proper engagement with the water pump sprocket.



3. Install timing chain tensioner (primary) as follows:
 - a. Remove contamination and foreign matter from the back of chain tensioner (primary) and the mounting surface on the rear timing chain case side.
 - b. Turn crankshaft pulley (1) clockwise so that timing chain on the timing chain tensioner (primary) side is loose.



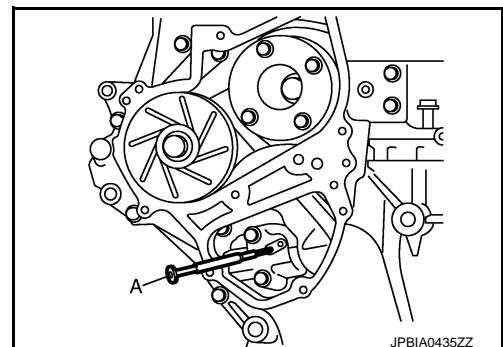
- c. Pull plunger stopper tab (A) up (or turn lever downward) so as to remove plunger stopper tab from the ratchet of plunger (D).
- d. Push plunger into the inside of tensioner body.
- e. Hold plunger in the fully compressed position by engaging plunger stopper tab with the tip of ratchet.
- f. To secure lever, insert stopper pin (E) through hole of lever (C) into tensioner body hole (B).
 - The lever parts and the tab are synchronized. Therefore, the plunger will be secured under this condition.



NOTE:

Figure shows the example of 1.2 mm (0.047 in) diameter thin screwdriver being used as the stopper pin.

- g. Install timing chain tensioner (primary).
 - Remove dust and foreign material completely from backside of timing chain tensioner (primary) and from installation area of rear timing chain case.
- h. After installation, pull out the stopper pin (A) to disengage the plunger.
- i. Recheck that the timing chain is in proper engagement with the water pump sprocket.



A

CO

C

D

E

F

G

H

I

J

K

L

M

N

O

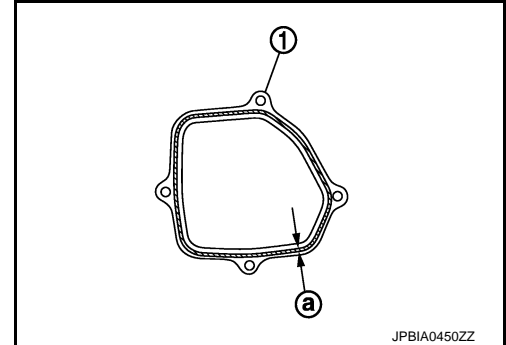
P

WATER PUMP

< REMOVAL AND INSTALLATION >

4. Install valve timing control cover (bank 1). Refer to [EM-50. "Exploded View"](#).
5. Install water pump cover as follows:
 - a. Remove old liquid gasket with a scraper from the back of the cover, the mounting surface of the front timing chain case, the mounting bolt thread part, and the screw hole (1).
 - Clean the mounting surface with white gasoline.
 - b. Apply liquid gasket to the part indicated in the figure, paying attention not to have a gap or on over lap. Refer to [CO-3. "Liquid Gasket"](#).

- 1 : Water pump cover
a : 2.3 - 3.3 mm



- c. Tightening install bolt.
6. Install drain plug.
 - Apply liquid gasket (an equivalent of Three Bond 1218) to the thread part to tighten the drain plug.
 - As for the tightening torque of the drain plugs on both sides of the cylinder block, refer to [EM-120. "Dis-assembly and Assembly"](#).
7. Install is the reverse order of removal as follows.

NOTE:

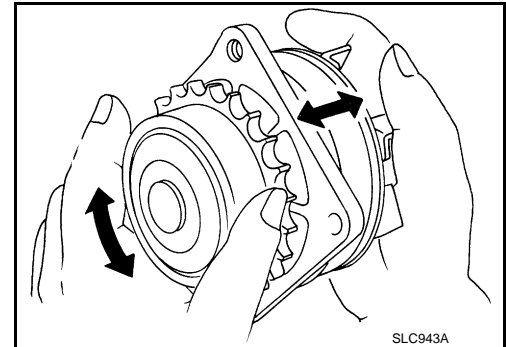
After removing and installing the chain tensioner (primary), rattle noise may be generated when starting or immediately after starting the engine. This is caused by a drop in hydraulic pressure in the chain tensioner (primary) and is normal. The noise stops as the hydraulic pressure rises.

VQ25HR : Inspection

INFOID:000000007464526

INSPECTION AFTER INSTALLATION

- Check for badly rusted or corroded water pump body assembly.
- Check for rough operation due to excessive end play.
- If anything is found, replace water pump.



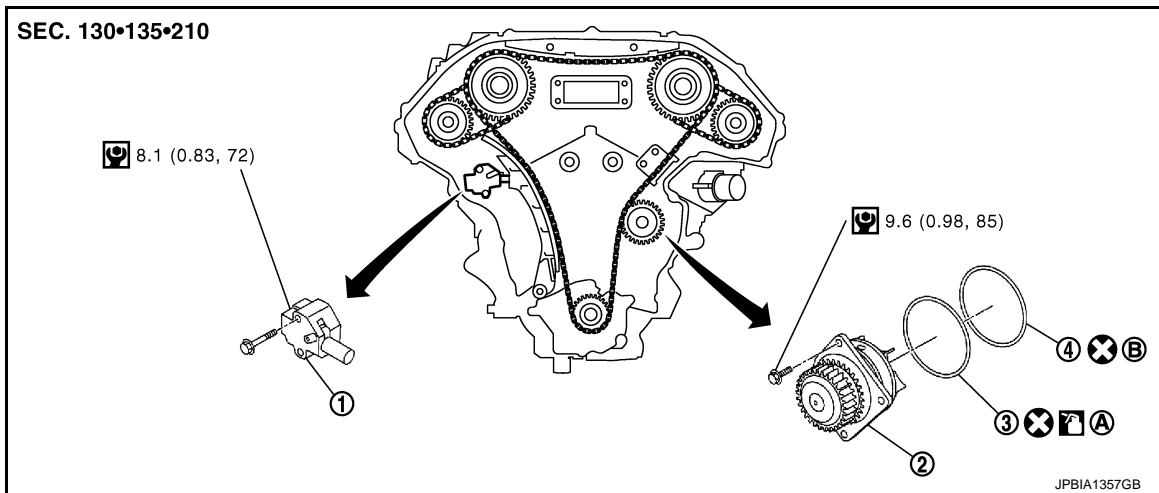
VQ37VHR

WATER PUMP

< REMOVAL AND INSTALLATION >

VQ37VHR : Exploded View

INFOID:000000007464527



1. Timing chain tensioner (primary)
 2. Water pump
 3. O-ring
 4. O-ring
- A. Identify with yellow paint mark B. Identify with light blue paint mark
Apply engine coolant

Refer to [GI-4, "Components"](#) for symbols in the figure.

VQ37VHR : Removal and Installation

INFOID:000000007464528

CAUTION:

- When removing water pump assembly, be careful not to get engine coolant on drive belt.
- Water pump cannot be disassembled and should be replaced as a unit.
- After installing water pump, connect hose and clamp securely, then check for leakage using the radiator cap tester and the radiator cap tester adapter (commercial service tool).

REMOVAL

1. Remove engine cover. Refer to [EM-177, "Exploded View"](#).
2. Disconnect the battery cable from the negative terminal.
3. Remove air duct and air cleaner case assembly (RH and LH). Refer to [EM-179, "Exploded View"](#).
4. Remove reservoir tank. Refer to [CO-15, "Exploded View"](#).
5. Separate engine harness removing their brackets from front timing chain case.
6. Remove engine undercover with power tool.
7. Drain engine oil. Refer to [LU-11, "Draining"](#).
CAUTION:
 - Perform this step when the engine is cold.
 - Never spill engine oil on drive belt.
8. Drain engine coolant from radiator. Refer to [CO-9, "Draining"](#).
CAUTION:
 - Perform this step when the engine is cold.
 - Never spill engine coolant on drive belt.
9. Remove cooling fan assembly. Refer to [CO-19, "Exploded View"](#).
10. Remove radiator hose (upper and lower). Refer to [CO-15, "Exploded View"](#).
11. Remove front timing chain case. Refer to [EM-202, "Exploded View"](#).

WATER PUMP

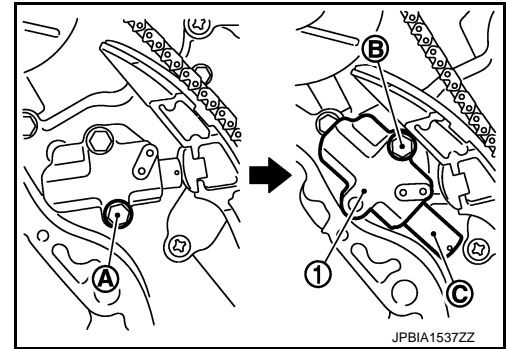
< REMOVAL AND INSTALLATION >

12. Remove timing chain tensioner (primary) (1) as follows:

- Remove lower mounting bolt (A).
- Loosen upper mounting bolt (B) slowly, and then turn chain tensioner (primary) on the upper mounting bolt so that plunger (C) is fully expanded.

NOTE:

Even if plunger is fully expanded, it is not dropped from the body of timing chain tensioner (primary).



- Remove upper mounting bolt, and then remove timing chain tensioner (primary).

13. Remove water pump as follows:

- Remove three water pump mounting bolts. Secure a gap between water pump gear and timing chain, by turning crankshaft counterclockwise until timing chain looseness on water pump sprocket becomes maximum.

- Screw M8 bolts (A) [pitch: 1.25 mm (0.049 in) length: approx. 50 mm (1.97 in)] into water pumps upper and lower mounting bolt holes until they reach timing chain case. Then, alternately tighten each bolt for a half turn, and pull out water pump (1).

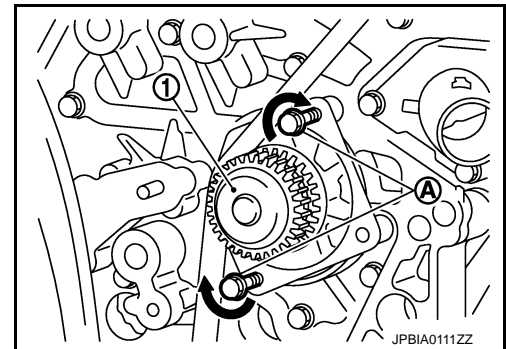
CAUTION:

- Pull straight out while preventing vane from contacting socket in installation area.
- Remove water pump without causing sprocket to contact timing chain.

- Remove M8 bolts and O-rings from water pump.

CAUTION:

Never disassemble water pump.



INSTALLATION

CAUTION:

Do not reuse O-rings.

- Install new O-rings to water pump.

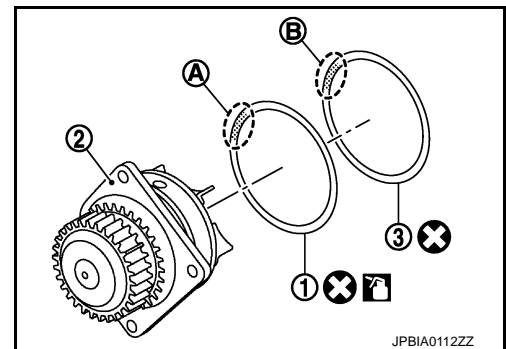
CAUTION:

Do not reuse O-rings.

- Apply engine oil to O-ring (1) and engine coolant to O-ring (3) as shown in the figure.

2 : Water pump

- Locate O-ring with yellow paint mark (A) to front side.
- Locate O-ring with light blue paint mark (B) to rear side.



- Install water pump.

CAUTION:

Never allow cylinder block to nip O-rings when installing water pump.

- Check timing chain and water pump sprocket are engaged.
- Insert water pump by tightening mounting bolts alternately and evenly.

- Install timing chain tensioner (primary) as follows:

- Turn crankshaft clockwise so that timing chain on the timing chain tensioner (primary) side is loose.

WATER PUMP

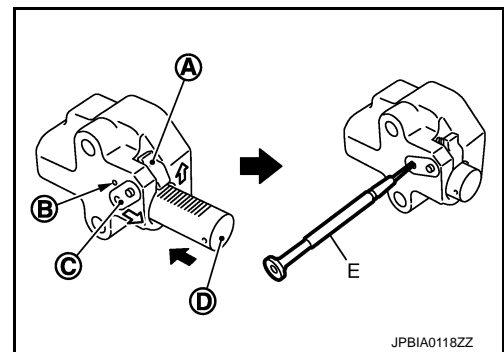
< REMOVAL AND INSTALLATION >

- b. Pull plunger stopper tab (A) up (or turn lever downward) so as to remove plunger stopper tab from the ratchet of plunger (D).

NOTE:

Plunger stopper tab and lever (C) are synchronized.

- c. Push plunger into the inside of tensioner body.
- d. Hold plunger in the fully compressed position by engaging plunger stopper tab with the tip of ratchet.
- e. To secure lever, insert stopper pin (E) through hole of lever into tensioner body hole (B).
- The lever parts and the tab are synchronized. Therefore, the plunger will be secured under this condition.



NOTE:

Figure shows the example of 1.2 mm (0.047 in) diameter thin screwdriver being used as the stopper pin.

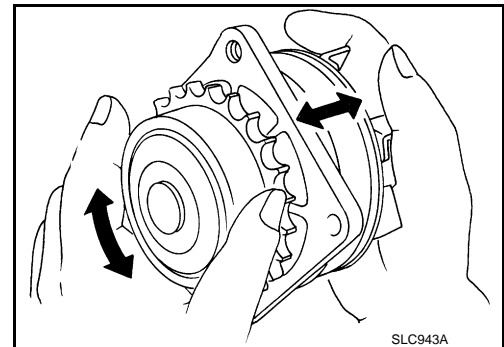
- f. Install timing chain tensioner (primary).
- Remove dust and foreign material completely from backside of timing chain tensioner (primary) and from installation area of rear timing chain case.
- g. Remove stopper pin.
- h. Check again that timing chain and water pump sprocket are engaged.
4. Install in the reverse order of removal for remaining parts.
- **After starting engine, let idle for three minutes, then rev engine up to 3,000 rpm under no load to purge air from the high-pressure chamber of chain tensioner. Engine may produce a rattling noise. This indicates that air still remains in the chamber and is not a matter of concern.**

VQ37VHR : Inspection

INFOID:000000007464529

INSPECTION AFTER REMOVAL

- Check for badly rusted or corroded water pump body assembly.
- Check for rough operation due to excessive end play.
- If anything is found, replace water pump.



INSPECTION AFTER INSTALLATION

- Check that the reservoir tank cap is tightened.
- Check for leakage of engine coolant using the radiator cap tester adapter and the radiator cap tester (commercial service tool). Refer to [CO-9, "Inspection"](#).
- Start and warm up the engine. Visually check that there is no leakage of engine coolant.

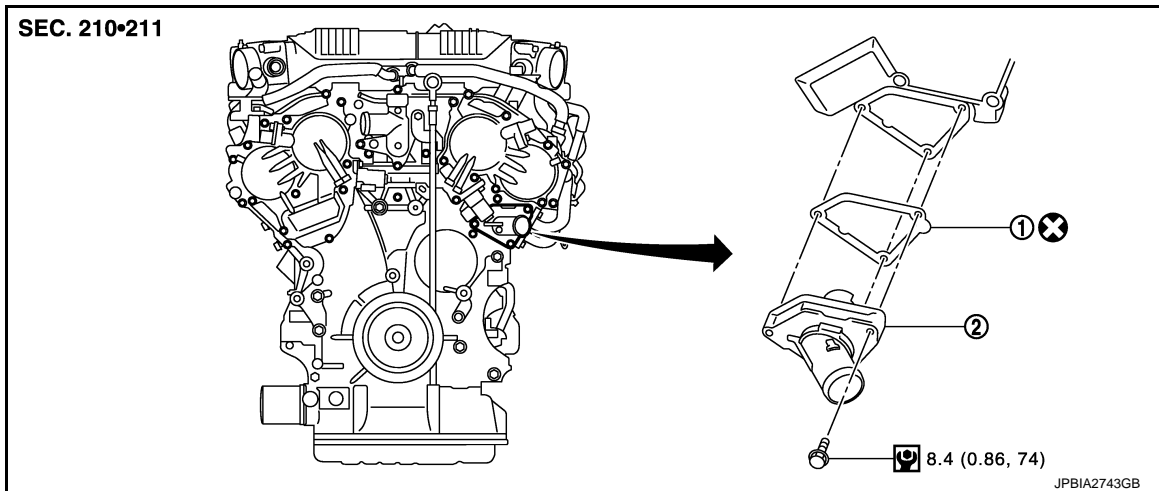
WATER INLET AND THERMOSTAT ASSEMBLY

< REMOVAL AND INSTALLATION >

WATER INLET AND THERMOSTAT ASSEMBLY

Exploded View

INFOID:000000007464530



1. Gasket
2. Water inlet and thermostat assembly

Refer to [GI-4, "Components"](#) for symbols in the figure.

NOTE:

The above figure shows VQ37VHR.

Removal and Installation

INFOID:000000007464531

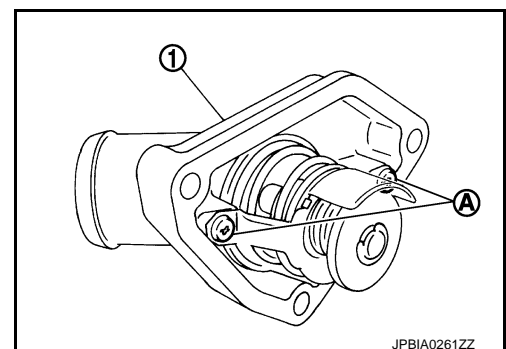
REMOVAL

1. Remove engine cover. Refer to [EM-26, "Exploded View"](#) (VQ25HR) or [EM-177, "Exploded View"](#) (VQ37VHR).
 2. Remove air duct and air cleaner case assembly (LH). Refer to [EM-28, "Exploded View"](#) (VQ25HR) or [EM-179, "Exploded View"](#) (VQ37VHR).
 3. Remove reservoir tank. Refer to [CO-15, "Exploded View"](#).
 4. Remove oil cooler water pipe mounting bolt, and move aside water pipe. Refer to [LU-17, "Exploded View"](#) (With oil cooler).
 5. Remove engine undercover with power tool.
 6. Drain engine coolant from radiator drain plug at the bottom of radiator. Refer to [CO-9, "Draining"](#).
- CAUTION:**
- Perform this step when the engine is cold.
 - Never spill engine coolant on drive belt.
7. Disconnect radiator hose (lower).
 8. Disconnect intake valve timing control valve harness connector (LH), and remove intake valve timing control solenoid.
 9. Remove water inlet and thermostat assembly (1).

A : Do not loosen these screw.

CAUTION:

Never disassemble water inlet and thermostat assembly.
Replace them as a unit, if necessary.



WATER INLET AND THERMOSTAT ASSEMBLY

< REMOVAL AND INSTALLATION >

INSTALLATION

Note the following, and install in the reverse order of removal.

- **Never spill engine coolant over engine room. Use rag to absorb engine coolant.**

Inspection

INFOID:000000007464532

A

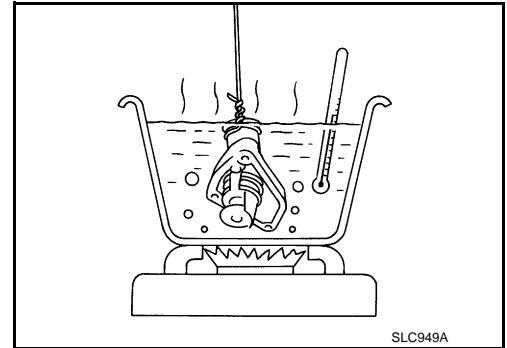
CO

INSPECTION AFTER REMOVAL

1. Check valve seating condition at ordinary room temperatures. It should seat tightly.
2. Check valve operation.

Thermostat (Standard) : Refer to [CO-34, "Thermostat"](#).

- If the malfunctioning condition, when valve seating at ordinary room temperature, or measured values are out of the standard, replace water inlet and thermostat assembly.



C

D

E

F

INSPECTION AFTER INSTALLATION

- Check that the reservoir tank cap is tightened.
- Check for leakage of engine coolant using the radiator cap tester adapter and the radiator cap tester (commercial service tool). Refer to [CO-9, "Inspection"](#).
- Start and warm up the engine. Visually check that there is no leakage of engine coolant.

G

H

I

J

K

L

M

N

O

P

WATER OUTLET AND WATER PIPING

< REMOVAL AND INSTALLATION >

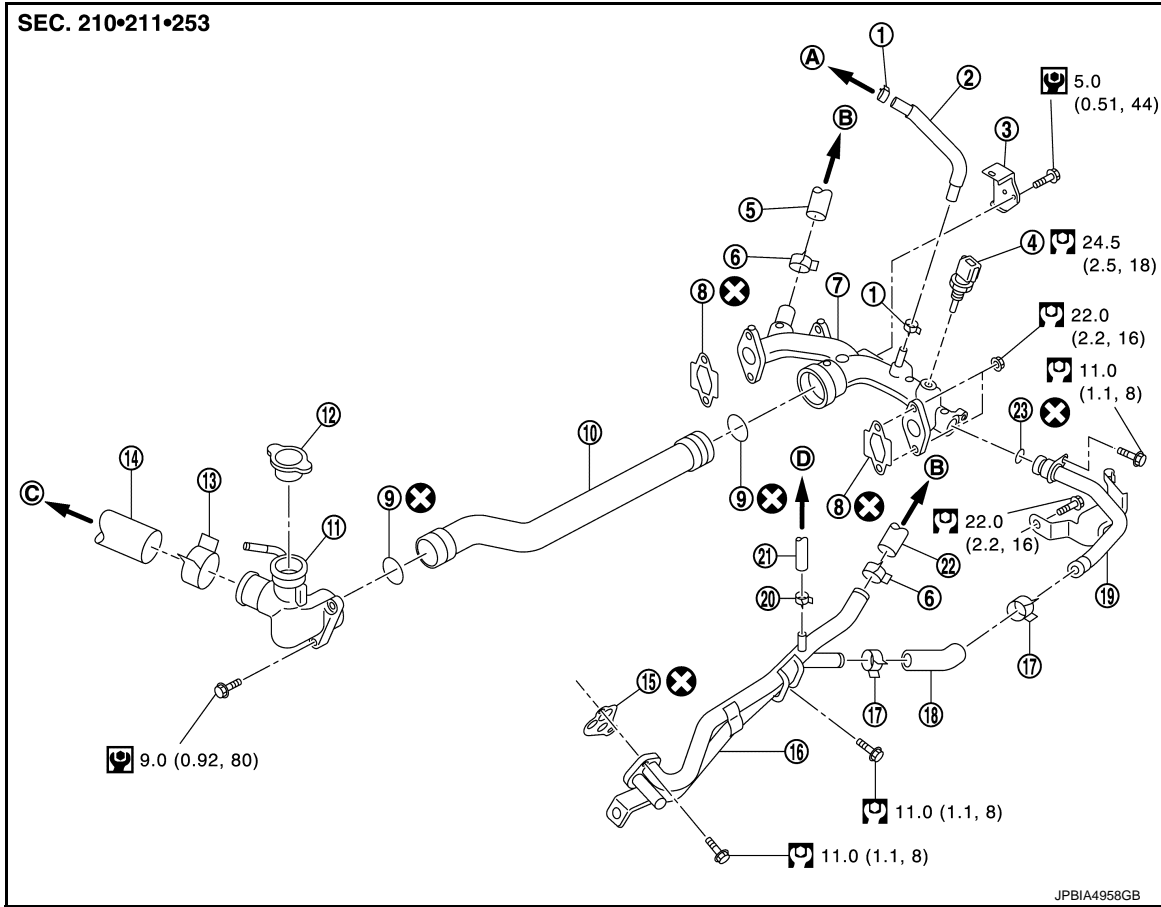
WATER OUTLET AND WATER PIPING

VQ25HR

VQ25HR : Exploded View

INFOID:000000007464533

2WD models



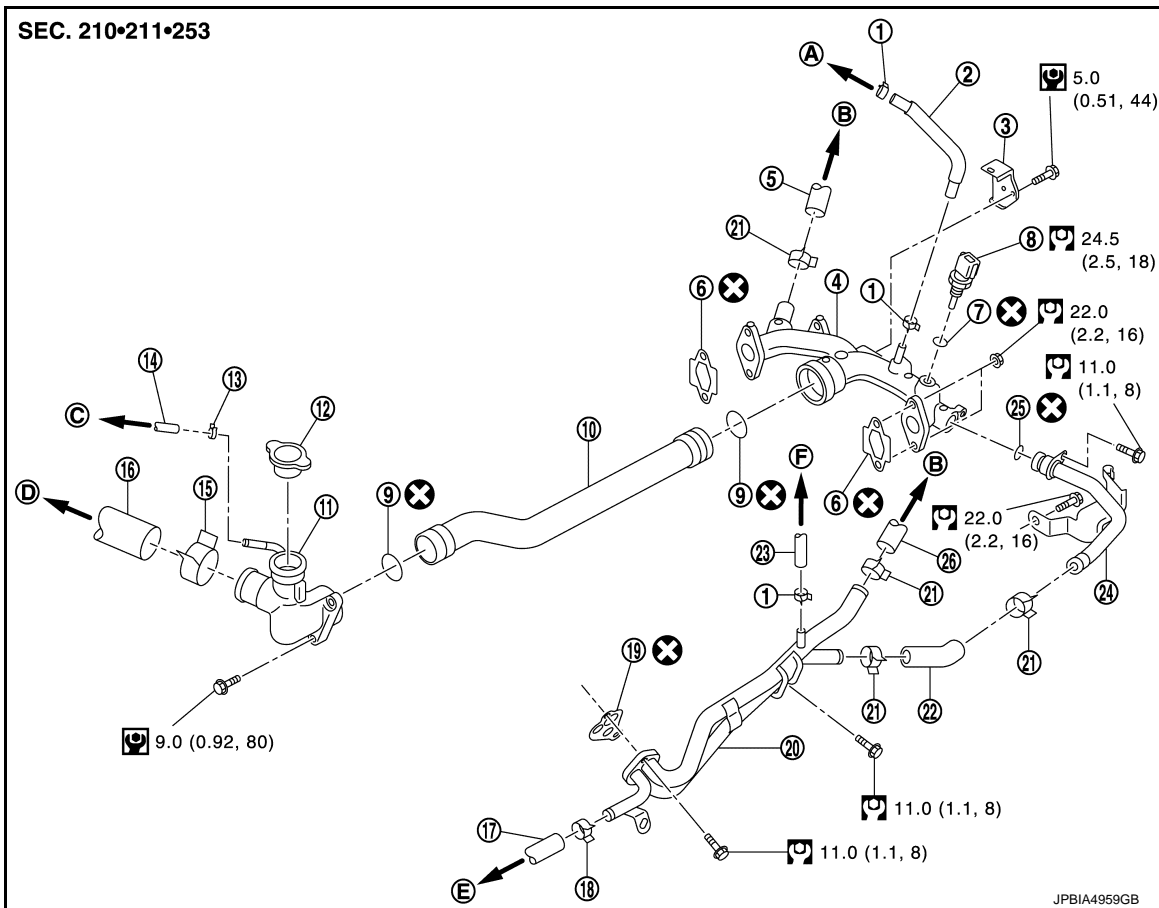
- | | | |
|---|---------------------------|--------------------|
| 1. Clamp | 2. Water hose | 3. Harness bracket |
| 4. Engine coolant temperature sensor | 5. Heater hose | 6. Clamp |
| 7. Water outlet (rear) | 8. Gasket | 9. O-ring |
| 10. Water outlet pipe | 11. Water outlet (front) | 12. Radiator cap |
| 13. Clamp | 14. Radiator hose (upper) | 15. Gasket |
| 16. Heater pipe | 17. Clamp | 18. Water hose |
| 19. Water bypass pipe | 20. Clamp | 21. Water hose |
| 22. Heater hose | 23. O-ring | |
| A. To electric throttle control actuator (bank 1) | B. To heater core | C. To radiator |
| D. To electric throttle control actuator (bank 2) | | |

Refer to [GI-4. "Components"](#) for symbols in the figure.

WATER OUTLET AND WATER PIPING

< REMOVAL AND INSTALLATION >

AWD models



- | | | |
|---|--------------------------------------|---|
| 1. Clamp | 2. Water hose | 3. Harness bracket |
| 4. Water outlet (rear) | 5. Heater hose | 6. Gasket |
| 7. Washer | 8. Engine coolant temperature sensor | 9. O-ring |
| 10. Water outlet pipe | 11. Water outlet (front) | 12. Radiator cap |
| 13. Clamp | 14. Reservoir tank hose | 15. Clamp |
| 16. Radiator hose (upper) | 17. Water hose | 18. Clamp |
| 19. Gasket | 20. Heater pipe | 21. Clamp |
| 22. Water hose | 23. Water hose | 24. Water bypass pipe |
| 25. O-ring | 26. Heater hose | |
| A. To electric throttle control actuator (bank 1) | B. To heater core | C. To reservoir tank |
| D. To radiator | E. To oil cooler | F. To electric throttle control actuator (bank 2) |

Refer to [GI-4, "Components"](#) for symbols in the figure.

VQ25HR : Removal and Installation

INFOID:000000007464534

REMOVAL

- Drain engine coolant from radiator drain plug at the bottom of radiator. Refer to [CO-9, "Draining"](#).
CAUTION:
 - Perform this step when the engine is cold.
 - Never spill engine coolant on drive belt.
- Remove engine cover. Refer to [EM-26, "Exploded View"](#).
- Remove oil level gauge. Refer to [LU-9, "Inspection"](#).
- Remove air duct and air cleaner case assembly (RH and LH). Refer to [EM-28, "Exploded View"](#).
- Remove engine undercover with power tool.

WATER OUTLET AND WATER PIPING

< REMOVAL AND INSTALLATION >

6. Remove radiator hose (upper) and heater hose.
7. When remove water outlet (rear), remove the following parts:
 - Engine coolant temperature sensor harness connector
 - Engine harness bracket

INSTALLATION

Note the following, and install in the reverse order of removal.

CAUTION:

Do not reuse O-rings.

- Securely insert each hose, and install clamp at a position where it does not interfere with the pipe bulge.
- When inserting water outlet pipe and water bypass pipe into water outlet, apply neutral detergent to O-ring.

CAUTION:

Never allow water outlet (rear) to nip O-rings when installing water outlet pipe and water bypass pipe.

VQ25HR : Inspection

INFOID:000000007464535

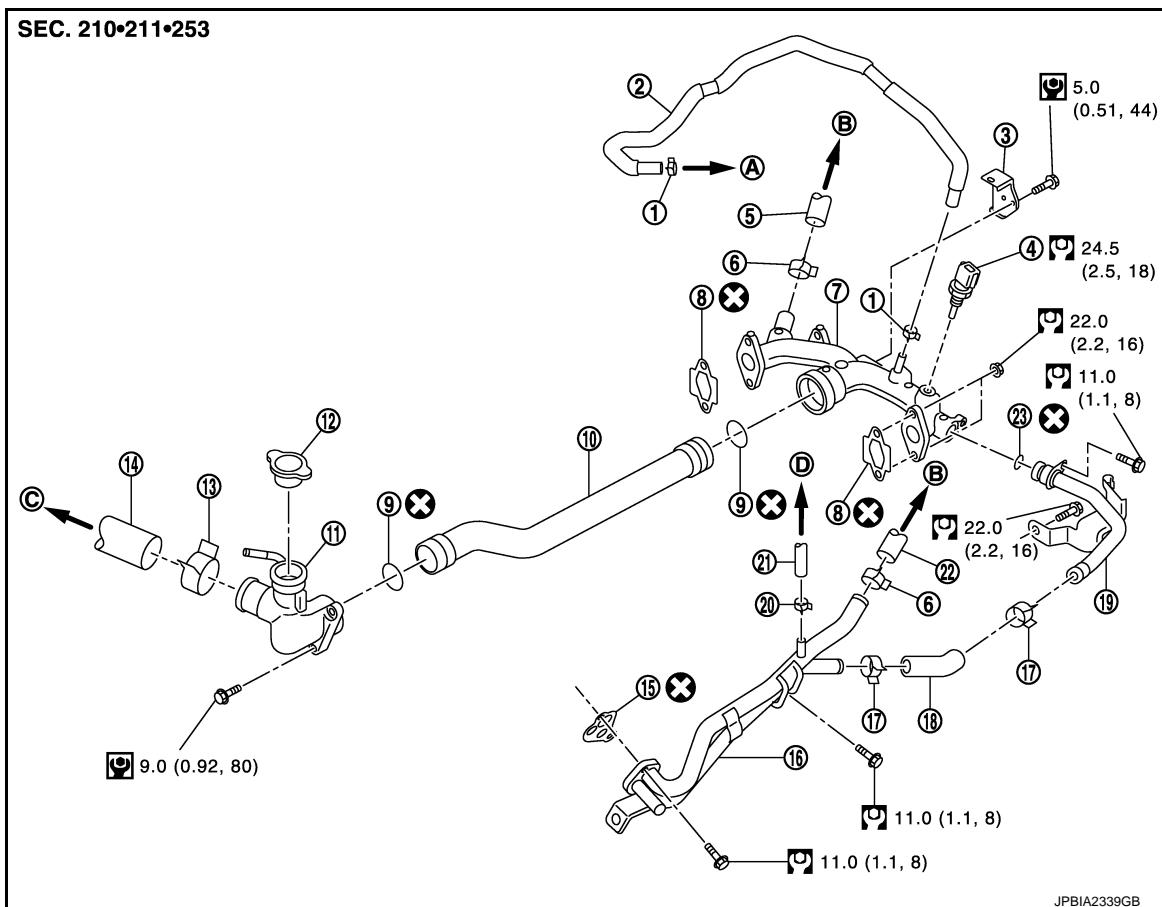
INSPECTION AFTER INSTALLATION

- Check that the reservoir tank cap is tightened.
- Check for leakage of engine coolant using the radiator cap tester adapter and the radiator cap tester (commercial service tool). Refer to [CO-9, "Inspection"](#).
- Start and warm up the engine. Visually check that there is no leakage of engine coolant.

VQ37VHR

VQ37VHR : Exploded View

INFOID:000000007464536



JPBIA2339GB

- | | | |
|--------------------------------------|--------------------------|--------------------|
| 1. Clamp | 2. Water hose | 3. Harness bracket |
| 4. Engine coolant temperature sensor | 5. Heater hose | 6. Clamp |
| 7. Water outlet (rear) | 8. Gasket | 9. O-ring |
| 10. Water outlet pipe | 11. Water outlet (front) | 12. Radiator cap |

WATER OUTLET AND WATER PIPING

< REMOVAL AND INSTALLATION >

- | | | |
|---|---------------------------|----------------|
| 13. Clamp | 14. Radiator hose (upper) | 15. Gasket |
| 16. Heater pipe | 17. Clamp | 18. Water hose |
| 19. Water bypass pipe | 20. Clamp | 21. Water hose |
| 22. Heater hose | 23. O-ring | |
| A. To electric throttle control actuator (bank 1) | B. To heater core | C. To radiator |
| D. To electric throttle control actuator (bank 2) | | |

Refer to [GI-4, "Components"](#) for symbols in the figure.

VQ37VHR : Removal and Installation

INFOID:000000007464537

REMOVAL

1. Remove engine cover. Refer to [EM-177, "Exploded View"](#).
2. Remove reservoir tank. Refer to [CO-15, "Exploded View"](#).
3. Remove oil level gauge and guide. Refer to [EM-234, "2WD : Exploded View"](#) (2WD models) or [EM-237, "AWD : Exploded View"](#) (AWD models).
4. Remove air duct and air cleaner case assembly (RH and LH). Refer to [EM-179, "Exploded View"](#).
5. Remove engine undercover with power tool.
6. Drain engine coolant from radiator drain plug at the bottom of radiator. Refer to [CO-9, "Draining"](#).
CAUTION:
 - Perform this step when the engine is cold.
 - Never spill engine coolant on drive belts.
7. Remove radiator hose (upper) and heater hose.
8. Separate engine harness removing their bracket from water outlet (rear).
9. Remove engine coolant temperature sensor if necessary.
CAUTION:
Never damage engine coolant temperature sensor.
10. Remove heater pipe, water bypass pipe and water outlet pipe.
11. Remove water outlet (rear) if necessary.
NOTE:
Removing engine assembly is required. Refer to [EM-221, "2WD : Exploded View"](#) (2WD models) or [EM-225, "AWD : Exploded View"](#) (AWD models).

INSTALLATION

Note the following, and install in the reverse order of removal.

CAUTION:

Do not reuse O-rings.

- Securely insert each hose, and install clamp at a position where it does not interfere with the pipe bulge.
- When inserting water outlet pipe and water bypass pipe into water outlet, apply neutral detergent to O-ring.

CAUTION:

Never allow water outlet (rear) to nip O-rings when installing water outlet pipe and water bypass pipe.

VQ37VHR : Inspection

INFOID:000000007464538

INSPECTION AFTER INSTALLATION

- Check that the reservoir tank cap is tightened.
- Check for leakage of engine coolant using the radiator cap tester adapter and the radiator cap tester (commercial service tool). Refer to [CO-9, "Inspection"](#).
- Start and warm up the engine. Visually check that there is no leakage of engine coolant.

SERVICE DATA AND SPECIFICATIONS (SDS)

< SERVICE DATA AND SPECIFICATIONS (SDS)

SERVICE DATA AND SPECIFICATIONS (SDS)

SERVICE DATA AND SPECIFICATIONS (SDS)

Periodical Maintenance Specification

INFOID:000000007464539

ENGINE COOLANT CAPACITY (APPROXIMATE)

Unit: ℓ (US qt, Imp qt)

Engine coolant capacity [With reservoir tank ("MAX" level)]	VQ25HR	2WD models	8.3 (8-6/8, 7-2/8)
		AWD models	8.8 (9-2/8, 7-6/8)
	VQ37VHR	A/T models	8.5 (9, 7-1/2)
		M/T models	8.6 (9-1/8, 7-5/8)
Reservoir tank engine coolant capacity (At "MAX" level)			0.8 (7/8, 3/4)

Radiator

INFOID:000000007464540

Unit: kPa (kg/cm², psi)

Cap relief pressure	Standard	122.3 - 151.7 (1.2 - 1.5, 18 - 22)
	Limit	107 (1.1, 16)
Leakage testing pressure		157 (1.6, 23)

Thermostat

INFOID:000000007464541

Thermostat	Standard
Valve opening temperature	82°C (180°F)
Maximum valve lift	8.6 mm/95°C (0.339 in/203°F)
Valve closing temperature	77°C (171°F)